

# HYDRAULIC IRON WORKER



Add  
**ENERGY**  
to drive your  
**MISSION**

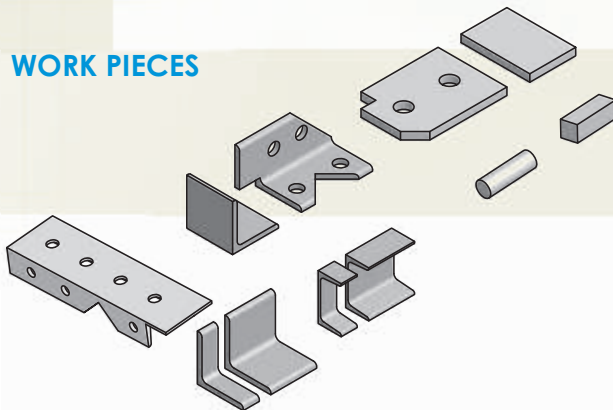
Engineering Excellence with cost effective solution.

- › Angle Cutting
- › Channel Cutting
- › Flat Cutting
- › Round Bar Cutting
- › Square Bar Cutting
- › I-section Cutting
- › T-section cutting
- › Punching
- › Notching

Energy Mission Hydraulic Iron Worker (SIGMA) is designed to give an effective solution to all the cutting and punching problems of flat and Section with satisfactory work quality from robust and compact machine.

- › Unique compact design by using ultrasonically tested steel plates.
- › International brands hydraulic & electrical components ensure trouble free operation.
- › Five work station catering '7' different operation.
- › Parallel operation of punching station with other work station gives higher productivity.
- › Direct shearing avoids any waste of materials.

## WORK PIECES



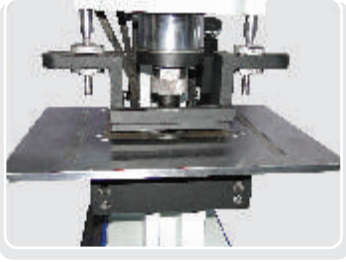
***Widest Range of Machines  
installed with  
proven performance***



**ENERGY MISSION**  
ENGINEERS

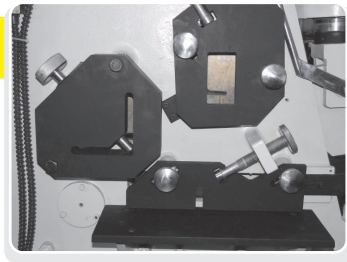
**AN ISO 9001:2008  
CERTIFIED COMPANY**

### Punching Station:



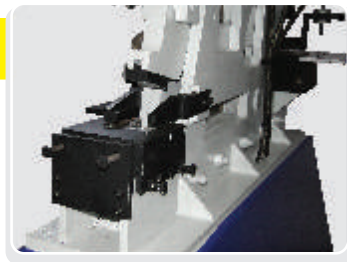
The punching station is suitable for punching on plates, Flats, Angle and channels. It is equipped with quick release type Punch & self aligned dies for various punching shapes like round, square, capsule or oval shapes. The die change is quick & easy. Optional press brake tool & "V" die can be used for flats & bus bar bending.

### Angle, Channel & Flat Shearing station:



Angle, channel & Flat stations are equipped with tools. Angle station doesn't require any blade change for any size of angles. Flat station can be used for shearing flats as well angle 45° cuts. Channel station can cut different sizes of Channel, Round bar, square bar, I-section & T-section by changing the dies. The die change is quick & easy.

### Notching Station:



The notching station is used for notching of plate, Flats, Angles and Channels. Different types of Notching operations can be done to suit various structural joints.

#### CAPACITY

		SIGMA M	SIGMA H
Flat Shear	mm	150 x 16, 250 x 12	150 x 25, 250 x 20
Angle	mm	100 x 100 x 10	150 x 150 x 12
Channel	mm	100 x 50	150 x 75
Round	mm	32	40
Square Bar	mm	32	40
Punching	mm	40 x 8	40 x 12
Notching	mm	80 x 40 x 5	80 x 40 x 8

#### General Specification

Motor	kW (HP)	5 Hp	7.5 Hp
No. of Stroke	/min.	15	15
(Ø20mm travel for punching side)			
Throat Depth	mm	250	300
Dimension	mm	1400 x 900 x 2000	1550 x 1000 x 2100

#### STANDARD ACCESSORIES:

- › Main Drive motor.
- › Electric Control Panel.
- › Fine stroke adjustment rod with limit switch.
- › Manual job Clamping Device.
- › Blade for Angle Cutting, Channel Cutting, Flat Cutting & Notching.
- › Pair of foot Switch.

#### OPTIONAL ACCESSORIES:

- › Manual back gauge.
- › Blade for Round Bar Cutting, Square Bar Cutting, T Section Cutting.
- › High Speed System for more number of stroke/minute.
- › First fill hydraulic oil. ]
- › Extra blade for channel cutting and punching.

#### PRODUCT RANGE

CNC Syncro Hyd. Press Brake, Hyd. Rear Cylinder Press Brake, Hyd. Front Cylinder Press Brake, Hyd. Shearing Machine, Plate Bending Machine, Iron Worker, Section Bending Machines, Bus Bar Unit, C-Frame Press, Hyd. Deep Drawing Press

*Technical Specification and range subject to change without prior notice*



87/1, Phase I, Opp. Pushpak Ind. Estate, GIDC Vatva, Ahmedabad - 382 445 (INDIA)  
Phone : 91 - 79 - 6543 6237 TeleFax : 91 - 79 - 2583 0913, 25840067  
Mobile : 09824481470, 09824303302  
Email : info@energymission.com Web : www.energymission.com